

CARBON AIR PURIFIER INFO & SPECS

Platinum Carbon cleans the air by combining UVC light and activated carbon; two technologies proven to be most effective at killing germs, and removing odors by reducing chemical vapors known as volatile organic compounds (VOCs).

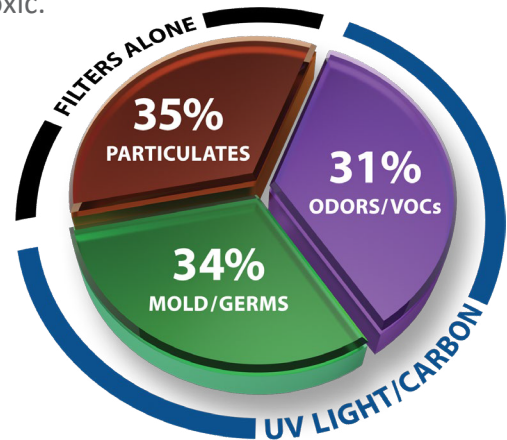
Some of them, like formaldehyde and acetone, are known to be toxic.

FEATURES

- Duct or magnet mount
- Easy to install
- Lifetime carbon cells
- Ozone-free
- Lifetime warranty

BENEFITS

- Whole-house air purification
- Neutralizes odors & toxic VOCs
- Fights mold, bacteria, & viruses
- Improves indoor air quality
- Inhibits HVAC mold growth



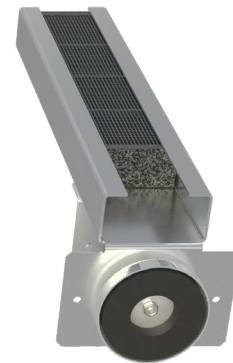
Duct Mount RT
(for smaller ducts)



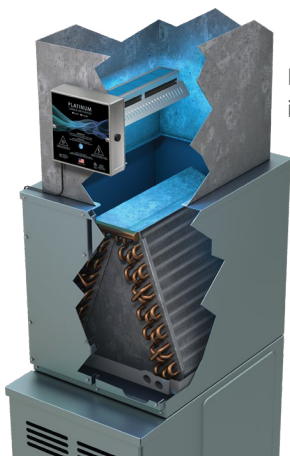
Duct Mount



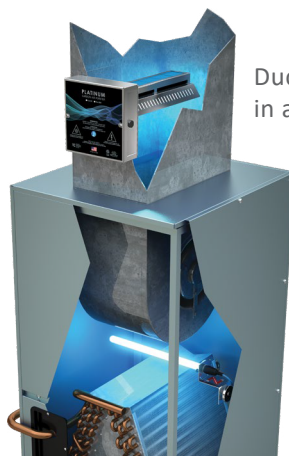
Magnet Mount 15



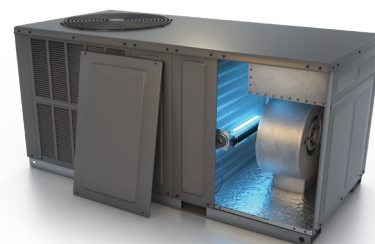
Magnet Mount 11



Duct Mount
in furnace



Duct Mount Dual
in air handler



Magnet Mount
in package unit

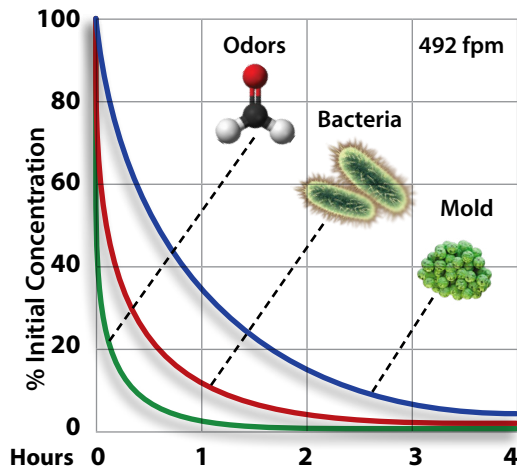


TECHNICAL DATA

Platinum Carbon utilizes proprietary UV-reactive carbon cells to disinfect the air and neutralize odors and volatile organic compounds (VOCs) in the indoor air. The system uses specially prepared adsorption media to capture VOCs, then, with the help of a 254 nm germicidal UV-C lamp, the captured constituents are neutralized through an innovative reaction process which breaks them down into elemental carbon dioxide and water vapor.



Platinum Carbon % Reduction of Common Indoor Air Contaminants Over 4 Hours



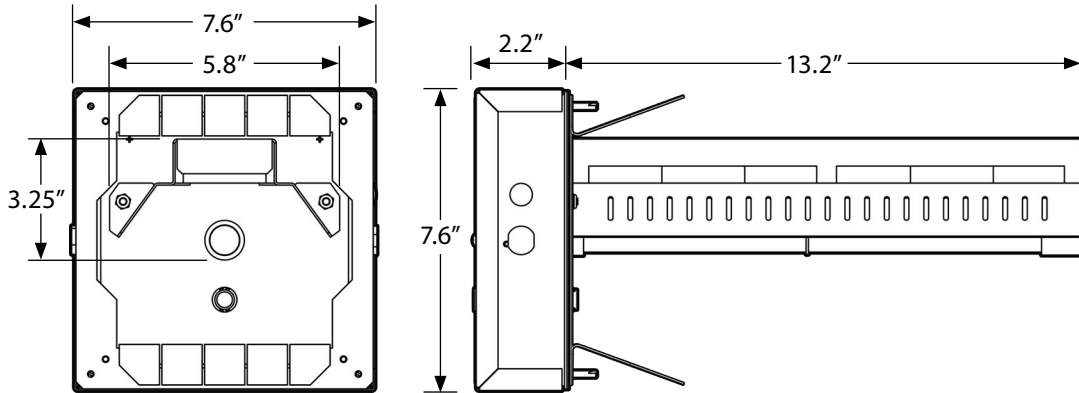
The monolithic carbon cells in Platinum Carbon are regenerative. Under normal operation it requires no maintenance and does not need to be replaced. Additionally, the UV-C light in Platinum Carbon disinfects the moving air stream reducing airborne mold, bacteria, and viruses. The UV light also reduces any build up of mold within the air handler and ducts.

Platinum CARBON TECHNICAL DATA	
UV Lamp	254 nm Germicidal UV-C Spectrum Quartz Hot Filament
Carbon Cell	Advanced Monolithic Adsorptive Carbon cell with proprietary absorption media and proven TiO2 photo-catalyst
Cell per In2	16
Cell Surface Area	250 m2/gm
Bulk Density	1.44 gm/cm2
Pressure Drop	<0.01" w.c. @ 400 FPM
VOC Activity	40-60% absorption per pass
Max Operating Temp.	400 degrees F



PL CARBON

- High or low-voltage internal power supply
- Slotted flanges enhance air flow
- Ideal for HVAC systems from to 3-7 tons



CARBON MODELS

18-32 VAC

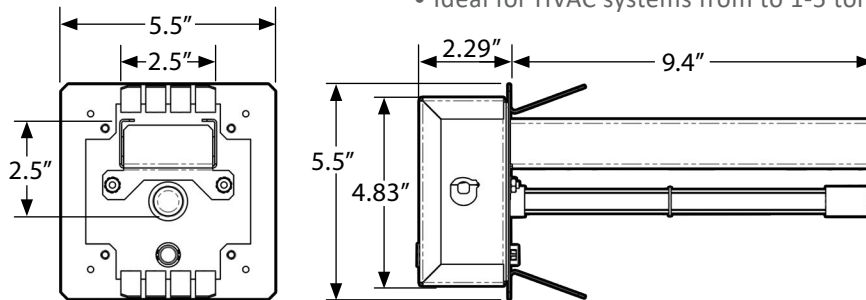
- PL-PCO-ER
- PL-PCO-ER2
- PL-PCO-DER
- PL-PCO-DER2

120-277 VAC

- PL-PCO-SI2P
- PL-PCO-DI2P

PL CARBON RT

- High or low-voltage remote power supply
- Requires only 10" clearance within the duct
- Ideal for HVAC systems from to 1-5 tons



CARBON RT MODELS

18-32 VAC

- PL-PCO-RT-ER2

120-277 VAC

- PL-PCO-RT-ST2
- PL-PCO-RT-DT2

PL CARBON MAG

- High or low-voltage remote power supply
- Removable magnet for internal mounting
- Ideal for package units

CARBON MAG 15 MODELS

18-32 VAC

- PL-PCO-MAG15-ER2

120-277 VAC

- PL-PCO-MAG15-ST2
- PL-PCO-MAG15-DT2

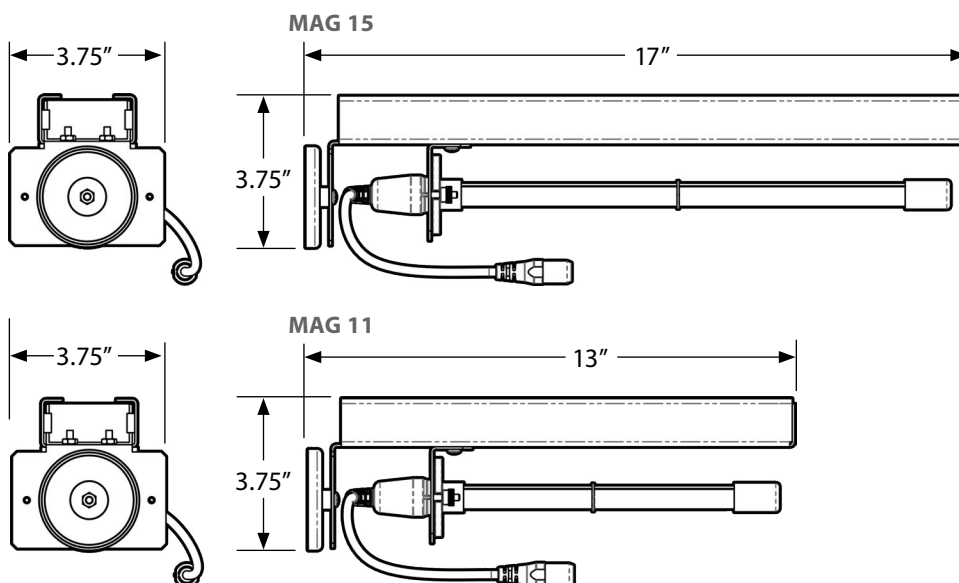
CARBON MAG 11 MODELS

18-32 VAC

- PL-PCO-MAG11-ER2

120-277 VAC

- PL-PCO-MAG11-ST2





PL Carbon Specs		
UV Lamp	254 nm germicidal UV-C, quartz hot filament	
Dimensions	Cell & Lamp: 5.8"W x 3.25"H x 13.2"D Enclosure: 7.6"L x 7.6"W x 2.2"D	
ER models Electrical	18-32 VAC, 60 Hz, 0.68 Amps, 16 VA	
SI DI models Electrical	120-277 VAC, 50/60 Hz, 0.51 Amps/120V Thru 0.22 Amps/277V	
Pressure Drop	<0.01" w.c. @ 400 FPM	
Warranty	Lifetime for all parts except lamp	
Part Numbers		
18-32 VAC	Replacement Lamp	
PL-PCO-ER PL-PCO-ER2	1 Year Lamp 2 Year Lamp	TUVL-115 TUVL-215
18-32 VAC with 2nd UV Lamp for Coils	Replacement Lamps	
PL-PCO-DER PL-PCO-DER2	1 Year Lamp 2 Year Lamp	TUVL-115 & TUVL-115P TUVL-215 & TUVL-215P
120-277 VAC	Replacement Lamp	
PL-PCO-SI2P	2 Year Lamp	TUVL-215
120-277 VAC with 2nd UV Lamp for Coils	Replacement Lamps	
PL-PCO -DI2P	2 Year Lamps	TUVL-215 & TUVL-215P

PL Carbon RT Specs		
UV Lamp	254 nm germicidal UV-C, quartz hot filament	
Dimensions	Cell & Lamp: 2.5"W x 2.5"H x 9.4"D Enclosure: 4.83"L x 4.83"W x 2.29"D	
ER models Electrical	18-32 VAC, 60 Hz, 0.68 Amps, 16 VA	
ST DT models Electrical	120-277 VAC, 50/60 Hz, 0.51 Amps/120V Thru 0.22 Amps/277V	
Pressure Drop	<0.01" w.c. @ 400 FPM	
Warranty	Lifetime for all parts except lamp	
Part Numbers		
18-32 VAC	Replacement Lamp	
PL-PCO-RT-ER2	2 Year Lamp	TUVL-211
18-32 VAC with 2nd UV Lamp for Coils	Replacement Lamps	
PL-PCO-RT-ST2	2 Year Lamp	TUVL-211 & TUVL-211P
120-277 VAC with 2nd UV Lamp for Coils	Replacement Lamps	
PL-PCO-RT-ST2	2 Year Lamps	TUVL-211 & TUVL-211P

PL Carbon Mag Specifications	
UV Lamp	1 Year (part #s TUVL-111P, TUVL115P) 254 nm UVC Quartz Hot Filament 2 Year (part #s TUVL-211P, 215P) 254 nm UVC Shielded Quartz Hot Filament
PCO Cell	Advanced Monolithic Adsorptive PCO cell with proprietary absorption media and proven TiO2 photo-catalyst
Pressure Drop	<0.01" w.c. @ 400 FPM
Dimensions	MAG11 5.5"W x 4"H x 13"D MAG15 5.5"W x 4"H x 17"D
Pressure Drop	<0.01" w.c. @ 400 FPM
Electrical ER Series	18-32 VAC, 60 Hz, 0.68 Amps, 16 VA Low-voltage power-supply
Electrical ST / DT Series	120-277 VAC, 50/60 Hz, 0.51 Amps/120V Thru 0.22 Amps/277V High-voltage power-supply
Warranty	Lifetime for all parts except lamp

Mag 11 Part Numbers		
18-32 VAC	Replacement Lamp	
PL-PCO-MAG11-ER2	2 Year Lamp	TUVL-211P
120-277 VAC	Replacement Lamp	
PL-PCO-MAG11-ST2	2 Year Lamp	TUVL-211P
Mag 15 Part Numbers		
18-32 VAC	Replacement Lamp	
PL-PCO-MAG15-ER2	2 Year Lamp	TUVL-215P
120-277 VAC	Replacement Lamp	
PL-PCO-MAG15-ST2 PL-PCO-MAG15-DT2	2 Year Lamp 2 Year Lamp Dual	TUVL-215P TUVL-215P (x 2)



MADE IN USA